

User Instructions

WARNING

THIS RESPIRATOR HELPS PROTECT AGAINST CERTAIN AIRBORNE CONTAMINANTS. IMPROPER USE AND CARE OF THIS RESPIRATOR RENDERS THE RESPIRATOR INEFFECTIVE AND MAY LEAD TO SICKNESS, INJURY AND/OR DEATH. FOR PROPER USE INSTRUCTIONS REFER TO THE USER INSTRUCTIONS OR VISIT THE WEBSITE WWW.ENVOMASK.COM OR CALL 1-877-421-7337. WHEN CALLING FROM OUTSIDE THE USA, PLEASE CALL 603-758-6690.

90185 Rev A

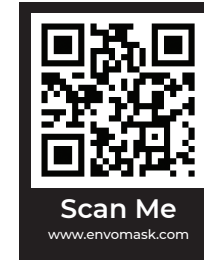
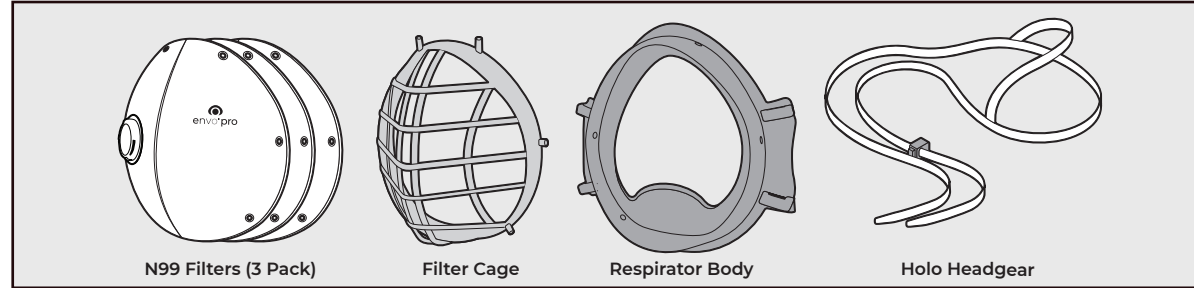
IMPORTANT: THIS RESPIRATOR HELPS PROTECT AGAINST CERTAIN AIRBORNE PARTICULATES INCLUDING CERTAIN AIRBORNE BIOLOGICAL PARTICULATES. BEFORE USE, USER MUST READ AND UNDERSTAND THESE USER INSTRUCTIONS.

PERMITTED USES: Use for protection from non-toxic particles such as those from grinding, sanding, sweeping, pollen, bagging, or processing minerals and/or materials such as coal, iron ore, metal, flour, grains, wood, and certain other substances. Additionally, can be used for liquid or non-oil based particles from sprays that do not emit oil aerosols or vapors. Follow all applicable local regulations. For additional information visit our website at www.envomask.com or call 1-877-421-7337. When calling from outside the USA, please call 603-758-6690.

PROHIBITED USES: DO NOT use for protection from gases and vapors, oil aerosols, asbestos, or sandblasting; particulate concentrations that exceed either 10 times the occupational exposure limit or applicable government regulations, whichever is lower. In the USA **DO NOT** use when the Occupational Safety and Health Administration (OSHA) substance specific standards, such as those for arsenic, cadmium, lead in the construction industry, or 4,4'-methylenedianiline (MDA), specify other types of respiratory protection. This respirator does not supply oxygen and does not breathe for the user.

Box Contents

Storage Case included (not shown)



envo[®] pro
www.envomask.com

BIOLOGICAL PROTECTION: This respirator may help reduce inhalation exposure to certain airborne biological particles (e.g., mold, Mycobacterium tuberculosis, etc.) but cannot eliminate the risk of contracting infection, illness, or disease. OSHA and other government agencies have not established safe exposure limits for these contaminants.

USER INSTRUCTIONS:

1. Failure to follow all instructions and limitations during the use of this respirator and/or failure to use this respirator during times of exposure can reduce or eliminate respirator effectiveness and may result in sickness, injury, and/or death.
2. Before occupational use of this respirator a written respiratory protection program must be implemented meeting all local governmental requirements. United States employers must comply with OSHA 29 CFR 1910.134 which includes medical evaluation, training, and fit testing. Follow all applicable local regulations.
3. Particles which can be dangerous to the health of the user include those that are not visible. These particles pose a significant threat to the health of the user. As such, the user and/or employer shall always consider whether or not an environment requires additional or different respiratory protection.
4. Inspect respirator before each and every use to ensure that it is in good operating condition. Examine all the parts of the respirator for signs of tears, breakage, or other damage. This includes the Holo Headgear, filter cage, respirator body, AIRgel cushion, and filter. Inspect the filter prior to each and every use to ensure there are no holes or damage from misuse or improper storage, and it is not soiled and/or clogged. If any parts are damaged or the filter is soiled and/or clogged, replace accordingly prior to use.
5. Conduct a User Seal Check prior to each wearing. To check the respirator-to-face seal (refer to Fitting Guide Images 1 and 2), place both hands completely over the respirator and inhale sharply. Be careful not to disturb the position of the respirator. A negative pressure should be felt inside the respirator. If air leaks around the edges of nose or face readjust the mask and/or headgear. If you CANNOT achieve a proper seal, DO NOT enter the contaminated area. See your supervisor.
6. Leave the contaminated area immediately if dizziness, irritation, or other distress occurs.
7. This respirator is designed for occupational/professional/personal use by adults who are properly trained in their use and limitations. This respirator is not designed to be used by children.
8. Individuals with a compromised respiratory system, such as asthma or emphysema, should consult a physician and must complete a medical evaluation prior to use.
9. Store the respirator and sealed filters in the envo[®] pro storage case away from contaminated areas when not in use. Unused filters should always be stored in the sealed poly bag (provided). **ALWAYS** examine all parts of the respirator and filters for signs of tears, breakage, clogging, soiling, or other damage after storage, prior to use.
10. Dispose of soiled/clogged filters and damaged parts in accordance with applicable regulations.

USE LIMITATIONS:

1. This respirator does not supply oxygen. **DO NOT** use in atmospheres containing less than 19.5% oxygen.
2. **DO NOT** alter, abuse or misuse this respirator.

3. **DO NOT** use with beards or other facial hair or other conditions that prevent a good seal between the face and the sealing surface of the respirator.
4. This respirator can help protect your lungs against certain airborne contaminants. It will not prevent entry through other routes such as the skin, which would require additional personal protective equipment (PPE).
5. This respirator does not contain PVC, DEHP, or phthalates. If the user has ANY reaction to any part of the respirator, discontinue use immediately.
6. **DO NOT** use when concentrations of contaminants are immediately dangerous to life or health, are unknown or when concentrations of contaminants exceed 10 times the permissible exposure limit or according to specific OSHA standards or applicable government regulations, whichever is lower.

STORAGE CONDITIONS and SHELF LIFE:

Before use, store respirators in the original packaging, away from contaminated areas, dust, sunlight, extreme temperatures, excessive moisture and damaging chemicals. ALWAYS inspect the respirator and conduct a user seal check before use as specified in these **USER INSTRUCTIONS**. If you cannot achieve a proper seal, **DO NOT** use the respirator.

TIME USE LIMITATIONS:

If the filter becomes damaged, soiled, or breathing becomes labored, leave the contaminated area immediately and replace the filter with a new filter. The user must be aware of the filter load throughout use. This is a reusable particulate respirator. Different environments affect the useful life span of the respirator at different rates. As such, inspect the respirator before each use to ensure the respirator is ready for effective use. Do not use the respirator without inspecting the respirator for effective use, as using a compromised respirator may result in sickness, injury or death.

CLEANING:

DO NOT wash filters. Filters are not reusable. All other components, including the Holo Headgear, can be hand washed with mild soap and water. Air dry only.

This respirator does not contain components made from natural rubber latex.

THIS RESPIRATOR IS APPROVED ONLY IN THE FOLLOWING CONFIGURATION:

TC	Protection ¹	Respirator Components				Headgear	Cautions and Limitations ²
		Filter	Filter Cage	Alternate Body	Headgear		
		39825	39811	48012	48013	55041	
84A-9450	N99	X	X	X	X	X	ABCILMNOP

1. Protection

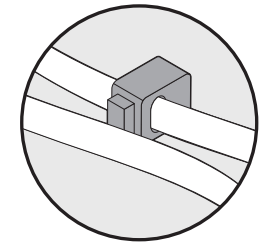
N99- Particulate Filter (99% filter efficiency level) effective against particulate aerosols free of oil; time use restrictions may apply.

2. Cautions and Limitations

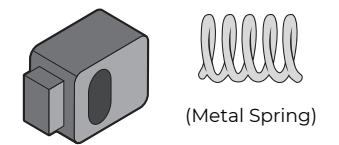
- A- Not for use in atmospheres containing less than 19.5% oxygen.
- B- Not for use in atmospheres immediately dangerous to life or health.
- C- Do not exceed maximum use concentrations established by regulatory standards.
- J- Failure to properly use and maintain this product could result in injury or death.
- L- Follow the manufacturer's User Instructions for changing cartridges, canister and/or filters.
- M- All approved respirators shall be selected, fitted, used, and maintained in accordance with MSHA, OSHA and other applicable regulations.
- N- Never substitute, modify, add or omit parts. Use only exact replacement parts in the configuration as specified by the manufacturer.
- O- Refer to User's Instructions, and/or maintenance manuals for information on use and maintenance of these respirators.
- P- NIOSH does not evaluate respirators for use as surgical masks.

13035 Rev A

Attention

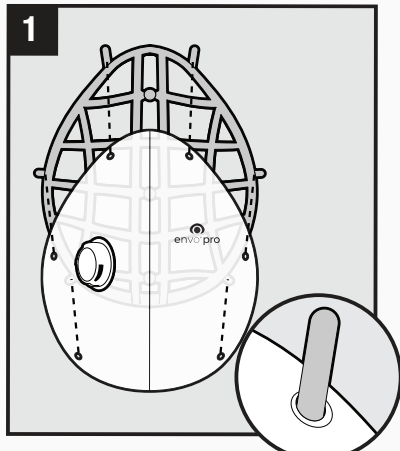


Warning: To avoid premature wear on the headgear cordlock, depress cord lock button completely prior to making any adjustments.

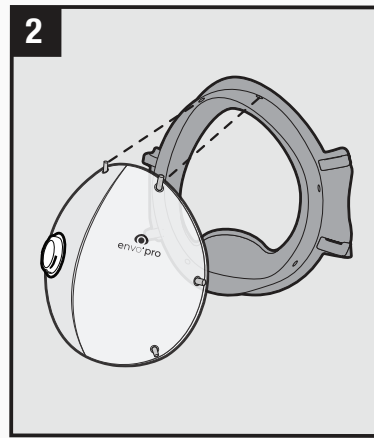


The Holo Headgear cord lock has an internal metal spring. Remove cord lock in places where metal is a hazard such as MRI and X-Ray machines.

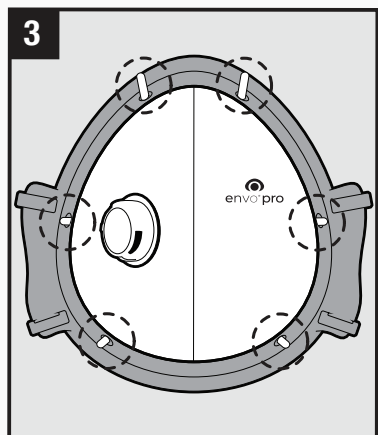
Respirator Assembly



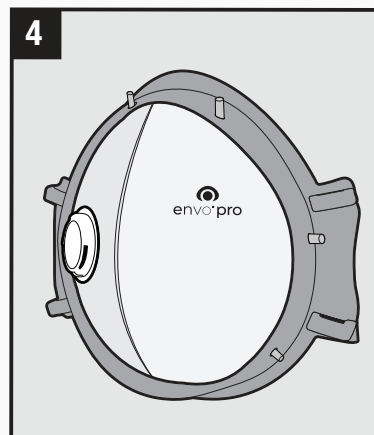
Place the filter on the filter cage by inserting the posts inside of the holes. Start with the top holes and work down from there.



Take the assembled filter cage and insert the posts into the respirator body. Make sure to start with the top two posts.

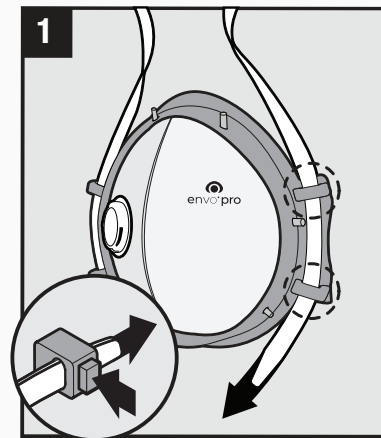


Place the rest of the posts in the respirator body holes. Check to make sure that all of the posts are sticking out.

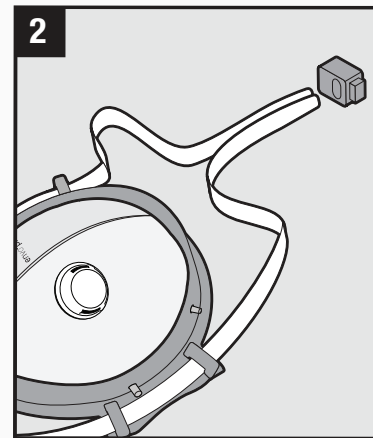


Check your envo[®] pro to make sure there are no gaps or wrinkles in the filter.

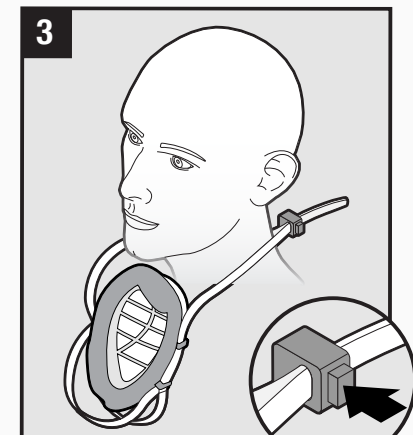
Headgear Assembly



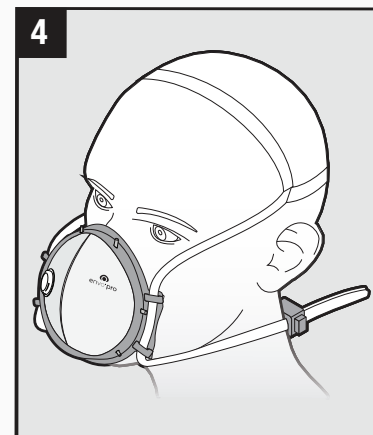
Remove cord lock from the strap. Thread both tapered ends through the headgear slots from the top of the envo[®] pro.



Once the threads have passed through, align the straps and reassemble the cordlock.

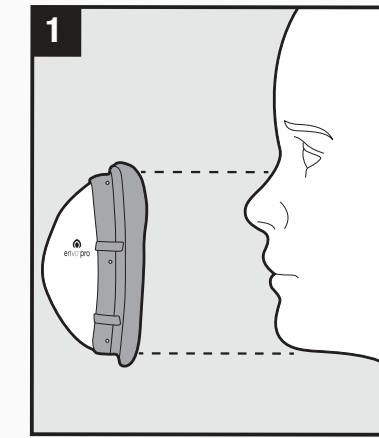


Place headgear over head wearing it like a necklace. Allow respirator to lay on chest with AIRgel[®] cushion facing up. Use cord lock until respirator is approximately 4 inches below your chin.

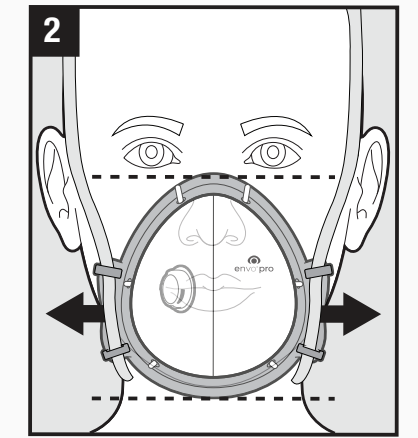


Grasp the headgear and pull it over your head. Use hands to align respirator on your face. Adjust cord lock for a secure fit and a good seal. Refer to **Fitting Guide** to ensure proper fit.

Fitting Guide

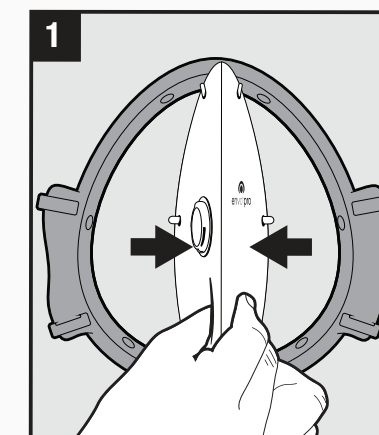


Make sure the top of the respirator rests on the bridge of the nose and the bottom flap rests on the chin.

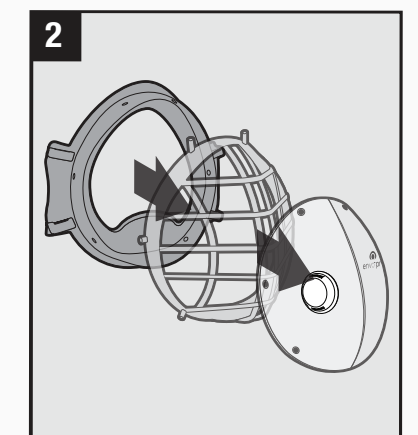


Pull the straps on both sides of the respirator body to adjust and balance.

Filter Replacement / Removal



Squeeze the filter to remove it from the respirator body.



Pull filter from the respirator body. Remove filter from filter cage and dispose of the filter. Follow **Respirator Assembly** instructions to reassemble.

The respirator is available in **regular** and **XL**. Please visit: <https://envomask.com/instructions> for additional assembly, fitting and sizing guidance. Sleepnet Corporation | Hampton, New Hampshire | USA | 603-758-6690 | support@envomask.com

